

COMMERCIAL DOCUMENTATION

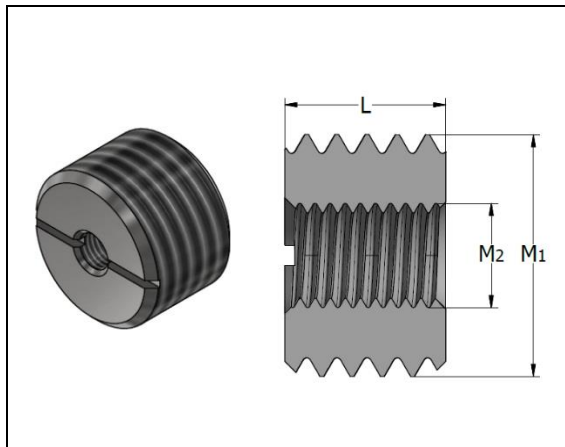


ALLIGATOR COUPLERS | **SN** **DOUBLE HEADED SCREW PLUG**

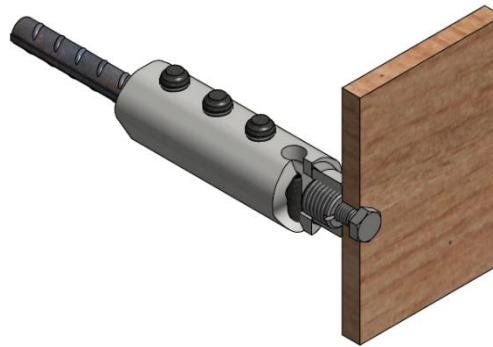


DOUBLE THREADED SCREW PLUG SN

SN threaded screw plug is used to affix the ALC-SK to the formwork. The external thread fits inside the ALC-SK threaded bush and the inner diameter to secure the attachment to the formwork using a standard threaded bolt.



SN	Product no.	Thread		L [mm]
		M1	M2	
SN M12-M6	45214	12	6	16
SN M16-M8	45215	16	8	16
SN M20-M8	45216	20	8	16
SN M24-M8	46303	24	8	16
SN M24-M10	45217	24	10	16
SN M30-M10	45218	30	10	16
SN M30-M8	46079	30	8	16
SN M36-M10	45219	36	10	25
SN M42-M10	45220	42	10	30
SN M48-M10	45464	48	10	36
SN M48-M12	46525	48	12	36
SN M48-M16	46524	48	16	36



CONTACT


TERWA is the global supplier for precast and construction solutions with multiple offices around the world. With all our staff, partners and agents, we are happy to provide all construction and precast companies who work in the building industry with full service and 100% support.

TERWA CONSTRUCTION GROUP
Terwa Construction Netherlands (HQ)

Global Sales & Distribution
 Kamerlingh Onneslaan 1-3
 3401 MZ IJsselstein
 The Netherlands
T +31-(0)30 699 13 29
F +31-(0)30 220 10 77
E info@terwa.com

Terwa Construction Central East Europe

Sales & Distribution
 Strada Sânzieni
 507075 Ghimbav
 Romania
T +40 372 611 576
E info@terwa.com

Terwa Construction Poland

Sales & Distribution
 Ul. Cicha 5 lok. 4
 00-353 Warszawa
 Poland
E info@terwa.com

Terwa Construction India & Middle East

Sales & Distribution
 India
T +91 89 687 000 41
E info@terwa.com

Terwa Construction China

Sales & distribution
 5F 504, No. 101 Chuanchang road
 PRC, 200032, Shanghai
 China
E info@terwa.com

ALL SPECIFICATIONS CAN BE CHANGED WITHOUT PREVIOUS NOTICE.

DISCLAIMER

Terwa B.V. is not liable for deviations due to wear of the products it has delivered. Neither is Terwa B.V. liable for damage due to inaccurate and/or improper handling and use of the products it has delivered and/or use of same for purposes other than those intended.

Terwa B.V.'s responsibility is furthermore limited in accordance with article 13 of the "Metaalunie" conditions, which are applicable for all Terwa B.V. deliveries. The user is responsible for ensuring compliance with all applicable copyright laws. Without limiting the rights under copyright, no part of this documentation may be reproduced, stored in or introduced into a retrieval system, or transmitted in any form or by any means (electronic, mechanical, photocopying, recording, or otherwise), or for any purpose, without the express written permission of Terwa B.V.